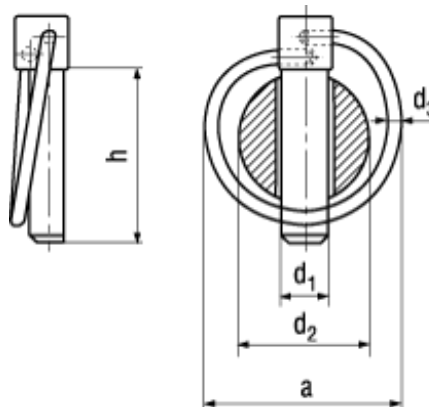




~DIN 11023



BN 914

Linch pins

Steel / spring steel

zinc plated yellow

- Pin: steel
- Ring: spring steel



ISO 4042

Fasteners hardness ≥ 320 HV with electroplated coatings:
Susceptible to hydrogen embrittlement!
Further notice to residual risks can be found in the introduction section.

Article#	Code	h	d ₂ max.	d ₃	a~	d ₁
1364634	1	42	34,5	2,9	46	4,5
1364642	2	42	38,5	3,5	48	6
1364650	3	42	38,5	3,5	48	8
1364669	4	42	38,5	3,5	48	10
1364677	5	42	38,5	3,5	48	11